

**VERSIONS**

- Type **KS**: with bearing protection
- Type **KR**: with no-slip disk

**Steel ST**

- Tensile strength class 5.8
- zinc plated, blue passivated
- Hexagon nut ISO 4035, Steel zinc plated, blue passivated

**Plastic caps:**

**Type KS**

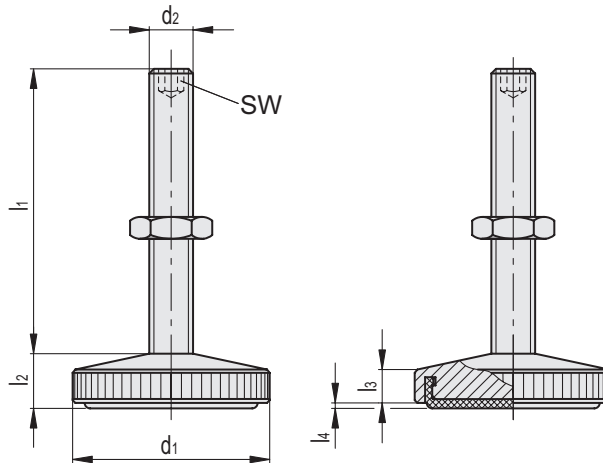
Acetal resin based (POM) technopolymer.  
white (natural colour) RAL 9001

**Type KR**

Thermoplastic elastomer (TPE).  
73 shore A ≈, black

**INFORMATION**

Levelling mount GN 339 are used for applications in cases where no jointed link is required between foot and adjusting screw. For this reason they offer the advantage of reduced height. The gliding and/or the non-gliding protective cap is safely fixed in the foot.



Conversion Table	
1 mm = 0,039 inch	
d1	
mm	inch
29	1.13
36	1.40

**GN 339-KS**

Code	Description	d1	d2	l1	l2	l3	l4	sw	Static load [kN]	⚖️
GN.74654	GN 339-29-M6-30-KS-ST	29	M 6	30	8	5	0.4	3	6	34
GN.74658	GN 339-29-M6-45-KS-ST	29	M 6	45	8	5	0.4	3	6	36
GN.74662	GN 339-29-M8-35-KS-ST	29	M 8	35	8	5	0.4	4	13	38
GN.74666	GN 339-29-M8-55-KS-ST	29	M 8	55	8	5	0.4	4	13	48
GN.74674	GN 339-36-M8-40-KS-ST	36	M 8	40	9	6	0.5	4	13	64
GN.74678	GN 339-36-M8-65-KS-ST	36	M 8	65	9	6	0.5	4	13	72
GN.74682	GN 339-36-M10-45-KS-ST	36	M 10	45	9	6	0.5	5	18	78
GN.74686	GN 339-36-M10-70-KS-ST	36	M 10	70	9	6	0.5	5	18	88

**GN 339-KR**

Code	Description	d1	d2	l1	l2	l3	l4	sw	Static load [kN]	⚖️
GN.74652	GN 339-29-M6-30-KR-ST	29	M 6	30	8	5	0.4	3	6	30
GN.74656	GN 339-29-M6-45-KR-ST	29	M 6	45	8	5	0.4	3	6	32
GN.74660	GN 339-29-M8-35-KR-ST	29	M 8	35	8	5	0.4	4	13	37
GN.74664	GN 339-29-M8-55-KR-ST	29	M 8	55	8	5	0.4	4	13	43
GN.74672	GN 339-36-M8-40-KR-ST	36	M 8	40	9	6	0.5	4	13	56
GN.74676	GN 339-36-M8-65-KR-ST	36	M 8	65	9	6	0.5	4	13	65
GN.74680	GN 339-36-M10-45-KR-ST	36	M 10	45	9	6	0.5	5	18	60
GN.74684	GN 339-36-M10-70-KR-ST	36	M 10	70	9	6	0.5	5	18	80

